



Pacific Accessory Corporation

VCI-X

Universal Video Backup Camera Interface for Factory Navigation Monitors Instructions



INSTALLATION:

Please note that the R, G, B, RGB Ground and SYNC wires we describe are printed on a separate vehicle wiring diagram page.

These vehicle specific diagrams, if one is available for your model, can be downloaded from our web site.

Inaccuracies or Typographical Errors: The information in these instructions could contain technical or other mistakes, inaccuracies or typographical errors. PAC may make changes to the materials in these instructions at any time without notice. The information in these instructions may be out of date, and PAC makes no commitment to update such information.

Preparing the factory wiring harness with Molex connectors:

1. Locate the R, G, B and SYNC wires on OEM navigation unit (usually located in trunk, glove box, rear side panel or center console. Read vehicle's owner manual to locate the navigation unit.) and cut these wires in half. If the wires are in a braided shield (typically a DIN cable), cut the insulation and braided shield wire to expose the individual wires. Connect the VCI-X's 6 pin Molex plugs as shown in FIG. 1.
2. The Molex plug with solid color wires have to be connected towards the navigation unit. Connect the Molex's RED wire to the R wire of Navigation unit. Connect the GREEN wire to the G wire of Navigation unit. Connect the VCI-X's BLUE wire to the B wire of Navigation unit. Connect the YELLOW wire to the SYNC wire of the Navigation unit. In most cases, you can tap the BLACK wire into the RGB Ground wire if the wire is available. If the vehicle has only a shield wire and no RGB Ground wire, connect the BLACK wire to the shield wire. If you have to cut the shield wire to get to the RGB/SYNC wires, connect the BLACK wire to the shield wire closest to the Navigation unit.
3. The Molex plug with stripe wires have to be connected towards the display. Connect the Molex's GREEN/BLACK wire to the G wire of the Navigation display. Connect the RED/BLACK wire to the R wire of the Navigation display. Connect the BLUE/WHITE wire to the B wire of the Navigation display. Connect the YELLOW/BLACK to the SYNC wire of the Navigation display. If the shield wire was cut, connect the BLACK/WHITE wire to the shield wire coming from the Navigation display. If the BLACK wire was connected to the RGB Ground wire, then the WHITE/BLACK wire does not need to be connected.
4. Test your connections by connecting the two 6 pin Molex plugs together. Turn on the Navigation unit. The colors will look normal if you connected the wires correctly.
 - * If the R, G, B wires are not connected correctly, you will have a different color shade. Example; if you connected the Green and Blue wires backwards you may see a Green background instead of a normal Blue background.
 - * If you see the picture scrolling across the display screen, check the RGB SYNC wires to be sure they are connected correctly.

Wiring the VCI-X's power, ground and switch input wires:

1. Connecting the power supply wires: Connect the VCI-X's BLACK wire to chassis ground. Connect the RED wire to a switched +12 volt source. The RED and BLACK wires are the ones coming out from the DC 12V side of the case.
2. Wire the VCI-X's blue wire the vehicle's +12 volt reverse light supply wire. The reverse wire will show +12 volts when the vehicle is put into reverse. *Note: The toggle switch manually triggers the video camera input, but will not be used for this application. Leave the switch in the closed position so that the interface will work properly when vehicle is put into reverse.*
3. Connect the Video Back-up Camera's (optional) video output to the VCI-X's video input.
4. After all connections have been verified, connect the 6 pin Molex plugs to the DB9 Molex plugs. Connect the DB9 harness to the VCI-X interface and tighten the thumb screws.

Testing the VCI-X:

1. Turn the vehicle and navigation unit on. The navigation display should show normal information.
 - * If there is no image on the display, check for correct power connection on the VCI-X. Check to be sure Molex connectors are connected securely.
 - * If the image on the display scrolls across the screen, make sure the Molex connectors are connected securely.
2. Temporarily put the vehicle into reverse being carefull not to back into anything or anyone. The display screen will change to the video back-up camera mode. Put vehicle back to Park and the navigation display should show normal information.
 - *If the navigation map screen dissapears and you get a blank screen when the vehicle is put into reverse, check the video back-up camera for proper power and video cable connection.

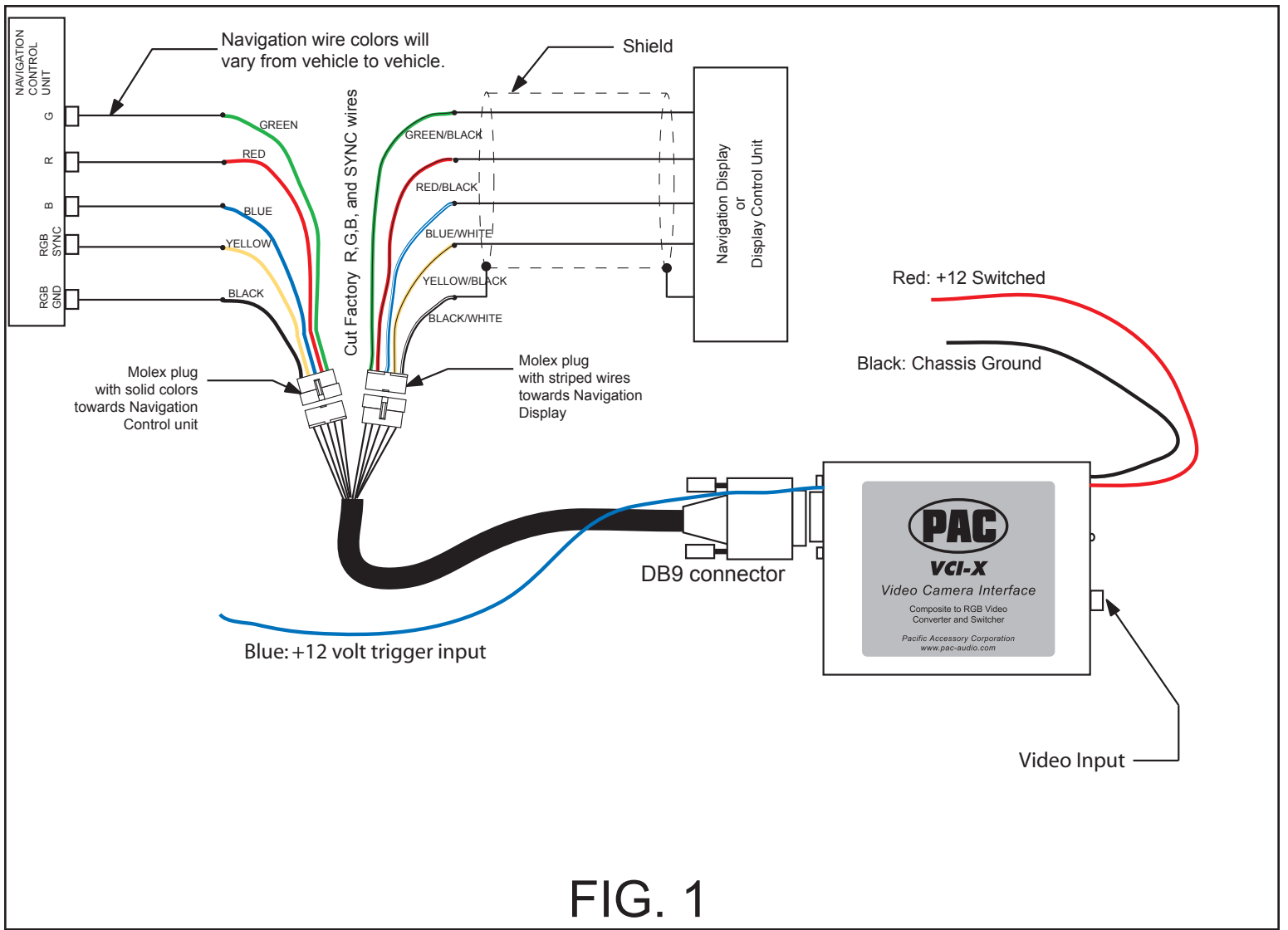


FIG. 1

DISCLAIMER □

sustained in connection with the VCI-X. The manufacturer and it's distributors will not, nor will they authorize any representative or any other individual to assume obligation or liability in relation to the VCI-X other than its replacement.