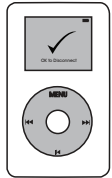


**\*\*READ THIS FIRST\*\***

## Changing Sources (iPod, HD Radio, SYNC)

- Press and hold the SCAN button until "MODE SELECT" is displayed.
- Turn the TUNE KNOB until "IPOD" is displayed
- Press the SCAN button to select the source



# iPod

### Preset 3

- Press to go back one step while in the browse menu

### Preset 2

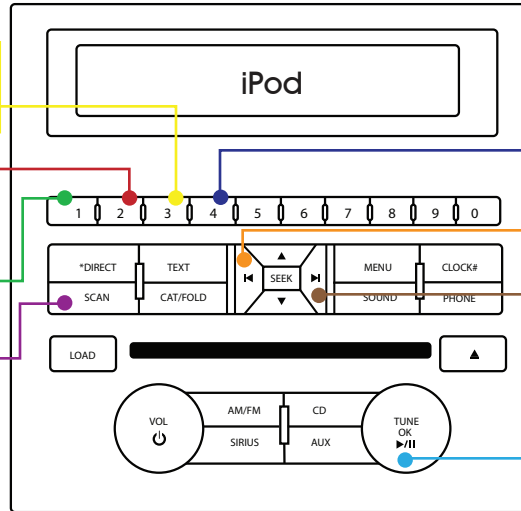
- Press and hold to fast forward the track that is playing

### Preset 1

- Press and hold to rewind the track that is playing

### Scan Button

- Press and hold to enter the mode select menu
- Press and release to choose mode in mode select menu



### Preset 4

- Press to enter the Browse Menu
- Press to make a selection while in the browse menu

### Seek

- Press to go back to the previous track

### Seek

- Press to advance to the next track

### Tune Knob

- Turn clockwise to advance to the next option in the browse menu
- Turn counter-clockwise to go back to the previous option in the browse menu

## Browsing Example:

To select the song "Star-Spangled Banner" through the Artist category

Press Preset 4 to enter into the browse menu. The radio will display "PL:LIST"



Turn the Tune Knob until radio displays "AR:ARTIST". Press Preset 4 to select. Radio will display "AR:ALL"



Turn the Tune Knob until radio displays "AR:Francis Scott Key". Press Preset 4 to select. Radio will display "AL:ALL"



Turn the Tune Knob until radio displays "AL:Patriot Hits Vol. 1". Press Preset 4 to select. Radio will display "TR:ALL".



Turn the Tune Knob until radio displays "TR:Star-Spangled Banner". Press Preset 4 to select. Song will begin to play and display will show track info.

(Actual Radio Appearance may differ from representation.)



**\*\*READ THIS FIRST\*\***

### Changing Sources (iPod, HD Radio, SYNC)

- Press and hold the SCAN button until "MODE SELECT" is displayed.
- Turn the TUNE KNOB until "HD-FM1" or "HD-AM" is displayed
- Press the SCAN button to select the source

#### Presets 1-6

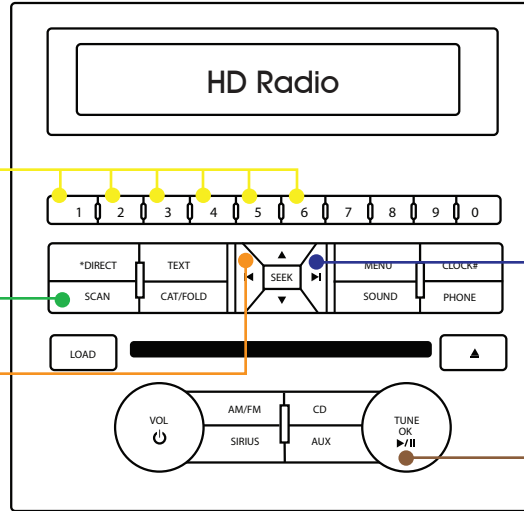
- Press and hold to store a station into memory.
- Press and release to recall a station in memory.

#### Scan Button

- Press and hold to enter the mode select menu
- Press and release to choose mode in mode select menu

#### Seek

- Press to seek down to the next available station



#### Seek

- Press to seek up to the next available station

#### Tune Knob

- Turn clockwise to tune up one station
- Turn counter-clockwise to tune down one station

### HD RADIO EXAMPLE

To select an HD radio station.

Press the SEEK ► button to get to the desired station. The Radio will auto lock on to an HD Radio Station if available; example: 92.5 HD1 MHZ. When locked into an HD Radio Station, press the SEEK ► button to access multi-cast HD Station(s) (if available); example: 92.5 HD2 MHZ

To store a radio station into preset memory.

Press and hold any preset (1-6) to store a station into memory. The screen will display "PR:SAVED"

To recall a station stored into preset memory.

Press and release the desired preset (1-6) that you wish to recall.

(Actual Radio Appearance may differ from representation.)